



Sterling Couch Range



Clinical Couch Range



Seating Range



SEERS MEDICAL Ltd
Kenton Road,
Debenham, Suffolk
IP14 6LA, United Kingdom
© Copyright SEERS Medical Ltd 2022

Company Reg. N° 6572698
VAT N° 931596702
Printed in the United Kingdom

Note¹: The illustrated fabric colours may vary slightly from actual fabric supplied. This occurs due to the four colour printing process. However every attempt has been made to make them as accurate as possible. Our Policy of continuous improvement means that we reserve the right to change and modify designs without prior notice. Note²: Measurements may vary +/- 2° or +/- 5mm due to manufacturing tolerances



Tel +44 (0)1728 861 590
Fax +44 (0)1728 861 868

info@seersmedical.com
www.seersmedical.com

Issue N° 8/22
Part N° 06Z-8004-SF



Therapy Range

Introduction

In this brochure we cover our range of physiotherapy and rehabilitation products. There is a wide choice of models and accessories to cater for various examination procedures as well as different manual therapy and rehabilitation techniques. Most models are variable in height with a choice of both manual or electric positioning and height operation. The development of these products has been achieved by applying our many years of experience and knowledge in this market. Much thought has been given to the design, to benefit both the comfort and security of the patients as well as providing manual handling solutions which promote good posture and ergonomics to all clinical staff when they are using this equipment. With the management and control of our own assembly line at our premises in Debenham, Suffolk in the UK, our couches comply to the CE medical devices directive 93/42/EEC, ensuring we supply high quality products every time, with short lead times to meet the tightest of deadlines.

Contents

4-5	Therapy 2 Section Standard Head Couch
6-7	Therapy 2 Section Basic Head Couch
8-9	Therapy 2 Section Plus Head Couch
10-11	Therapy 3 Section Standard Head Couch
12-13	Therapy 3 Section Basic Head Couch
14-15	Therapy 3 Section Plus Head Couch
16-17	Therapy 3 Section Drop End Couch
18-19	Therapy Deluxe Drainage Couch
20-21	Therapy Deluxe Couch
22-23	Therapy Traction Table
24-25	Traction Accessories
26-27	Therapy Mat Tables
28-29	Therapy Bobath Couch
30-31	Therapy Deluxe Bobath Couch
32-33	Therapy Bariatric 2 & 3 Section Couch
34-35	Economy Tilt Table
36-37	Standard Tilt Table
38-39	Tilt Table Pro
40-41	Multi-Purpose Tilt Table
42-43	Paediatric Tilt Table
44-45	Therapy Hygiene Table
46-47	Shower Trolley
48-49	Therapy Chairs & Stools
50-51	Optional Couch Accessories



Safe working load
240Kg (550lbs)



Mobile hoist clearance
beneath frame



Anti-bacterial
powder coated frame



Anti-microbial
vinyl upholstery



Crib 5 Fire
retardant upholstery



Low patient
transfer height



Complies with EC
Directive 13485:2016
Medical Devices

Technical Information

At **SEERS** Medical we are using state of the art design tools, such as 3D solid modelling and in house rapid prototyping, to assist us in getting new designs into development and manufacture. Whilst designing new products, all manufacturing capabilities available are taken into consideration, such as CNC wood cutting, laser profiling and robot welding, which deliver reliable build quality and repeatability of accurate components, time after time. A typical innovative use of these processes is evident in a high loaded components such as the ram bracket, a common item on many **SEERS** couches, where using laser profiling we have been able to make the parts interlock, adding immense strength, even before welding! This is typical of the attention to detail that we pride ourselves with, and sets us apart from other couch manufacturers, giving us confidence in the reliability and longevity of the products we manufacture.

Mechanical Safety & Load Testing

All **SEERS** Medical products have been tested to the applicable EN 60601-1:2006+A12:2014 (E) the General requirements for basic safety and essential performance. Our couches have been thoroughly tested with a two and a half times safe working load (in excess of 600Kg loaded evenly, for in excess of one hour, to prove load support capability without failure. Our products are tested in accordance to Clauses 9.8.3.2-3 Static Forces of EN60601-1:2006 Not only do our products have high safe working loads (typically 240Kg), but our products also lift the rated safe working load from the minimum height to the maximum height smoothly.

Electrical Safety

All **SEERS** Medical products comply to EN 60601-1:2006+A12:2014 (E) the General requirements for basic safety and essential performance. In addition, the actuation and control systems used on our products are marked with the UL mark, demonstrating compliance to UL60601-1 and CAN/CSA-C22.2 No. 601.1-M90, meeting the requirements for USA and Canada. The actuation control system is also marked with approval to C-ETL-US No. 3154358.

CE Marking & Quality System

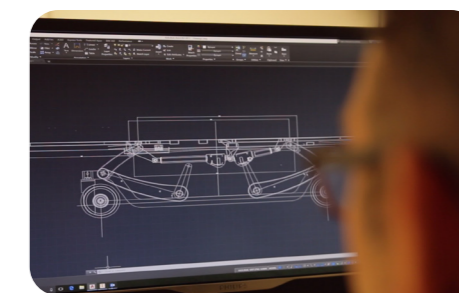
SEERS Medical operates a Quality Management System in accredited and approved to ISO 13485:2016. **SEERS** Medical products comply with the Essential Requirements in Annex I of EC Directive 93/42/EC, with all relevant design, production records, risk assessments, product testing and labelling information recorded in the documentation file labelled the "Technical File". All products carry a unique serial number for trace-ability of build date, model number and associated build records.

Flammability

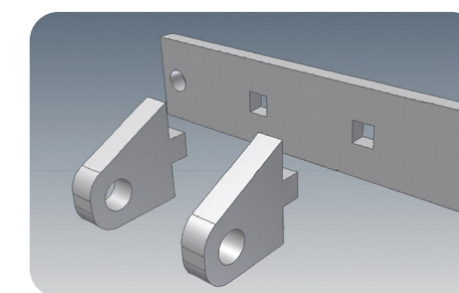
The upholstered couch sections satisfies flammability requirements to the standards of BS 7176:1995 (medium hazard) using ignition sources 0 (cigarette), 1 (gas) as defined in BS EN. 1921-1 and 2 and 5 (crib) BS 5852:1990.

Warranty

The variable height couches detailed in this brochure have a lifetime frame warranty and five years warranty on all other components.



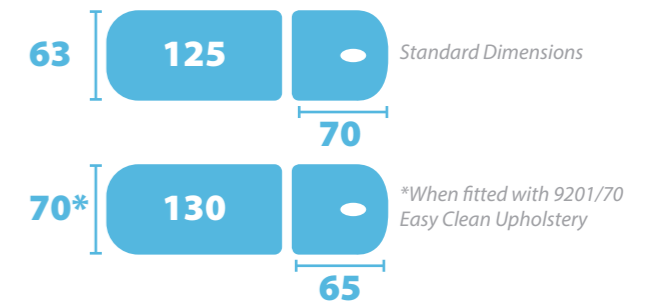
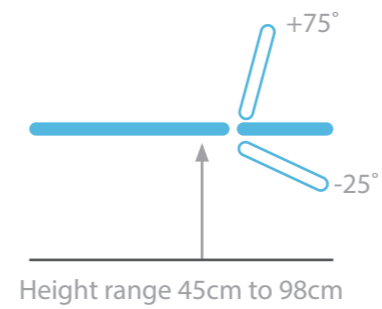
CAD design technology



Interlocking structural components



Robot Welding



Therapy 2 Section Standard Head Couch



A very strong and rigid 2 section couch with a wide range of optional accessories available and an extensive choice of colours. This couch is suitable for supporting very heavy patients for examinations, minor procedures and physiotherapy treatments. This 2 section couch is available as a hydraulic or electric model, both models feature a gas assisted backrest that can be adjusted from -25° to +75° and has an excellent height range from 45cm to 98cm.

Models

- ST2557** Hydraulic with gas assisted head section
- ST2567** Electric with gas assisted head section



Model ST2567
Shown with optional Foot Switch
Colour Light Grey

Standard Features

- Safe working load and lifting capacity of 240Kg (528lbs)
- The gas assisted head section incorporates anti-trap design gas strut
- Gas assisted head section adjustable from -25° to +75°
- Choice of hydraulic or electric height elevation
- Excellent height range from 45cm to 98cm
- Retractable wheel design with adjustable foot for stability on uneven surfaces
- Breathing hole and plug included as standard
- Purpose made precision bearings on all pivot points
- Clearance beneath frame for mobile hoist
- Hand switch fitted as standard on electric models
- 63cm wide Easy Clean Upholstery as standard
- Choice of Standard or Standard+ upholstery colours

Optional Accessories

- EPFS** Perimeter Foot Switch
- 1WF** Single Foot Switch
- 6006** Upper Limb Support
- 6002** Side Support Rails
- 9002P** Side Support Rail Cushions
- 9005** Paper Roll Holder
- 6007** Removable Head/Knee Support



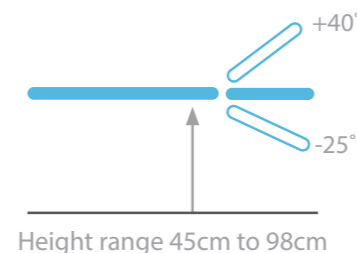
Negative head section to -25°



Low patient transfer height

Available Upholstery Colours:





65	124	52	Standard Dimensions
70*	130	52	*When fitted with 9202/70 Easy Clean Upholstery

Therapy 2 Section Basic Head Couch



Designed for head and neck mobilisation, as well as manual traction techniques, these strong and rigid tables feature a short head section, with the option of adjustable height armrests on the "Plus" model, providing additional patient comfort during prone treatments. The head section has a breathing hole and plug fitted as standard.

Models

- ST2558 Hydraulic with gas assisted head section
- ST2568 Electric with gas assisted head section



Model ST2558
Colour Diabolo Mandarinine
Colour available at an additional cost

Standard Features

- Safe working load and lifting capacity of 240Kg (528lbs)
- The gas assisted head section incorporates anti-trap design gas strut
- Gas assisted head section adjustment from -25° to +40°
- Choice of hydraulic or electric height elevation
- Excellent height range from 45cm to 98cm
- Retractable wheel design with adjustable foot for stability on uneven surfaces
- Breathing hole and plug included as standard
- Purpose made precision bearings on all pivot points
- Clearance beneath frame for mobile hoist
- Hand switch fitted as standard on electric models
- Standard width 65cm upholstery
- Choice of Standard or Standard+ upholstery colours

Optional Accessories

- EPFS Perimeter Foot Switch
- 1WF Single Foot Switch
- 6006 Upper Limb Support
- 6002 Side Support Rails
- 9002P Side Support Rail Cushions
- 9005 Paper Roll Holder
- 6007 Removable Head/Knee Support

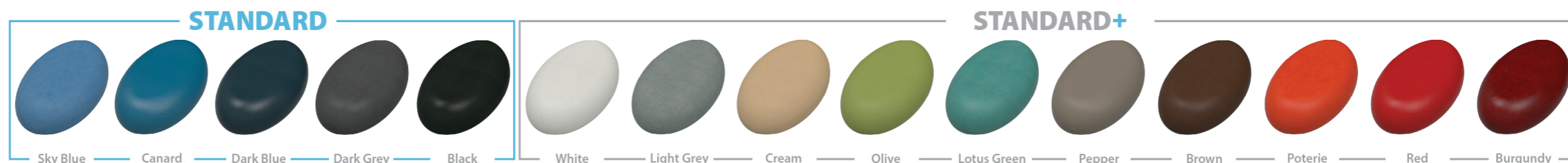


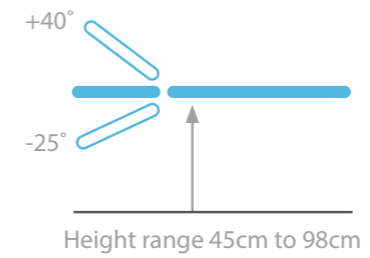
Negative head section to -25°



Low patient transfer height

Available Upholstery Colours:





Therapy 2 Section Plus Head Couch



The plus head design is ideal for neck mobilisation as well as manual traction techniques. These couches feature a short head section with height adjustable armrests for prone treatments, promoting relaxed shoulders and a more comfortable patient. The couch has an excellent height range of 45cm to 98cm and is fitted with a breathing hole and plug as standard.

Models

- ST2559** Hydraulic with gas assisted head section
- ST2569** Electric with gas assisted head section



Model ST2569
Shown with optional perimeter foot switch
Colour Diabolo Tileul
Colour available at an additional cost

Standard Features

- Safe working load and lifting capacity of 240Kg (528lbs)
- The gas assisted head section incorporates anti-trap design gas strut
- Gas assisted head section adjustable from -25° to +40°
- Adjustable height armrests as standard
- Choice of hydraulic or electric height elevation
- Excellent height range from 45cm to 98cm
- Retractable wheel design with adjustable foot for stability on uneven surfaces
- Breathing hole and plug included as standard
- Purpose made precision bearings on all pivot points
- Clearance beneath frame for mobile hoist
- Hand switch fitted as standard on electric models
- Standard width 65cm upholstery
- Choice of Standard or Standard+ upholstery colours

Optional Accessories

- EPFS** Perimeter Foot Switch
- 1WF** Single Foot Switch
- 6006** Upper Limb Support
- 6002** Side Support Rails
- 9002P** Side Support Rail Cushions
- 6005** Paper Roll Holder
- 6007** Removable Head/Knee Support



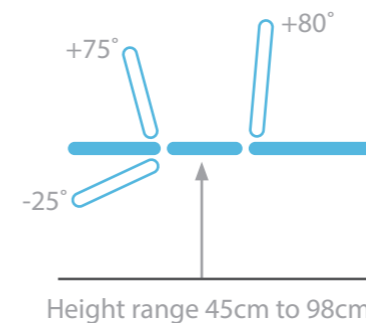
Positive head section to +40°



Low patient transfer height

Available Upholstery Colours:





60	43	91	63	Standard Dimensions
65	43	86		

Therapy 3 Section Standard Head Couch



A very strong and rigid 3 section couch with a traditionally long head section to suit a wide range of physiotherapy and general examination procedures. The couch can be adjusted to provide support for the patient in prone, supine and seated positions. The couch has an excellent height range of 45cm to 98cm and is fitted with a breathing hole and plug as standard.

Models

- ST3557** Hydraulic with gas assisted backrest and head section
- ST3567** Electric with gas assisted backrest and head section



Hydraulic Foot Operation



Model ST3557
Colour Sky Blue

Standard Features

- Safe working load and lifting capacity of 240Kg (528lbs)
- Gas assisted head section adjustable from -25° to +75°
- Gas assisted backrest adjustable from 0° to 80°
- Head section and backrest incorporate anti-trap design
- Choice of hydraulic or electric height elevation
- Excellent height range from 45cm to 98cm
- Retractable wheel design with adjustable foot for stability on uneven surfaces
- Breathing hole and plug included as standard
- Purpose made precision bearings on all pivot points
- Clearance beneath frame for mobile hoist
- Hand switch fitted as standard on electric models
- 63cm Wide Easy Clean Upholstery as standard
- Choice of Standard or Standard+ upholstery colours

Optional Accessories

- EPFS Perimeter Foot Switch
- 1WF Single Foot Switch
- 6006 Upper Limb Support
- 6003 Side Support Rails
- 9002P Side Support Rail Cushions
- 9005 Paper Roll Holder
- 6007 Removable Head/Knee Support

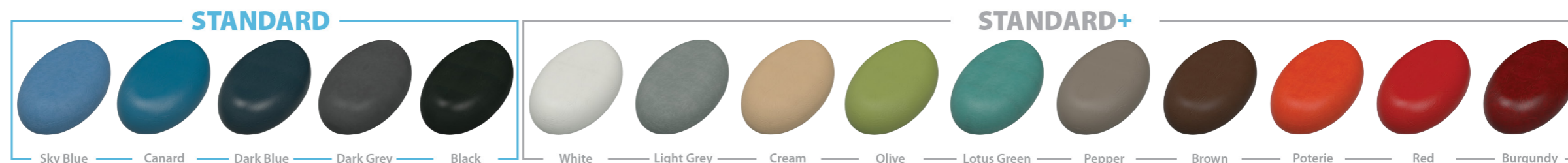


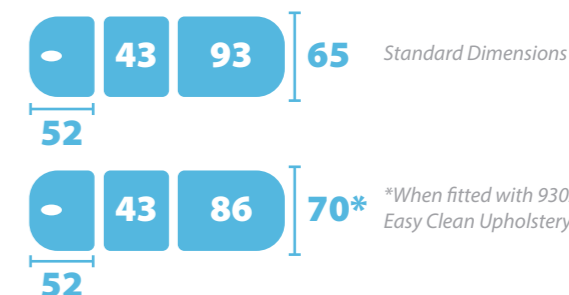
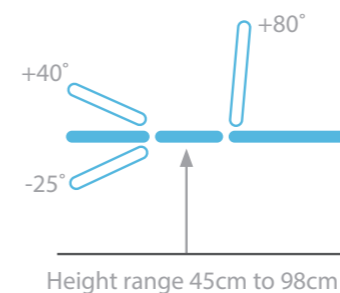
Low patient transfer height



Negative head/foot section to -25°

Available Upholstery Colours:





Therapy 3 Section Basic Head Couch



Designed with a short head section for head and neck mobilisation techniques, these versatile tables are suitable for a wide range of physiotherapy and rehabilitation procedures. The couch has an excellent height range of 45cm to 98cm and is fitted with a breathing hole and plug as standard.

Models

- ST3558** Hydraulic with gas assisted backrest and head section
- ST3568** Electric with gas assisted backrest and head section



Model ST3558
Shown with optional 6007 Removable Head/Knee Support Cushion
Colour Light Grey

Standard Features

- Safe working load and lifting capacity of 240Kg (528lbs)
- Gas assisted head section adjustable from -25° to +40°
- Breathing hole and plug fitted as standard
- Gas assisted backrest adjustable from 0° to +80°
- Head section and backrest incorporate anti-trap design
- Choice of hydraulic or electric height elevation
- Excellent height range from 45cm to 98cm
- Retractable wheel design with adjustable foot for stability on uneven surfaces
- Breathing hole and plug included as standard
- Purpose made precision bearings on all pivot points
- Clearance beneath frame for mobile hoist
- Hand switch fitted as standard on electric models
- Standard width 65cm upholstery
- Choice of Standard or Standard+ upholstery colours

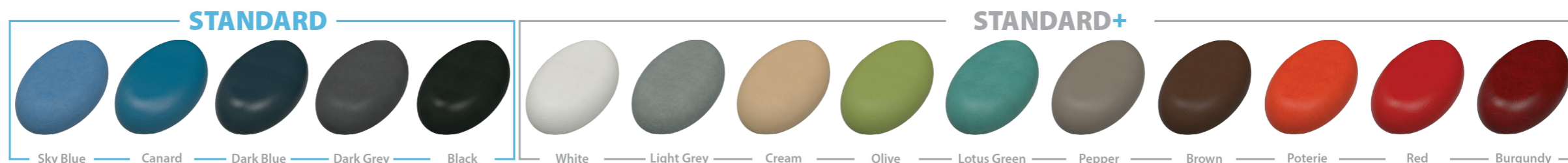
Optional Accessories

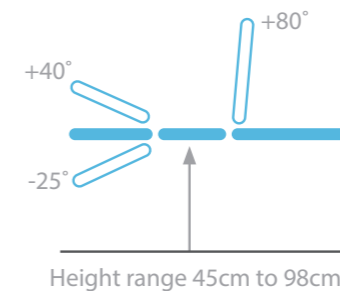
- EPFS** Perimeter Foot Switch
- 1WF** Single Foot Switch
- 6006** Upper Limb Support
- 6003** Side Support Rails
- 9002P** Side Support Rail Cushions
- 9005** Paper Roll Holder
- 6007** Removable Head/Knee Support



Negative head/foot section to -25°

Available Upholstery Colours:





Therapy 3 Section Plus Head Couch



Designed with a short head section for head and neck mobilisation techniques, these versatile tables are suitable for a wide range of physiotherapy and rehabilitation procedures. The "Plus" model features adjustable height armrests which promote a relaxed shoulder girdle and a more comfortable patient during prone treatments. The couch has an excellent height range of 45cm to 98cm and is fitted with a breathing hole and plug as standard.

Models

- ST3559** Hydraulic with gas assisted backrest
- ST3569** Electric with gas assisted backrest

Standard Features

- Safe working load and lifting capacity of 240Kg (528lbs)
- Gas assisted head section adjustable from -25° to +40°
- Adjustable height armrests for prone treatments
- Gas assisted backrest adjustable from 0° to +80°
- Head section and backrest incorporates anti-trap design
- Choice of hydraulic or electric height elevation
- Excellent height range from 45cm to 98cm
- Retractable wheel design with adjustable foot for stability on uneven surfaces
- Breathing hole and plug included as standard
- Purpose made precision bearings on all pivot points
- Clearance beneath frame for mobile hoist
- Hand switch fitted as standard on electric models
- Standard width 65cm upholstery
- Choice of Standard or Standard+ upholstery colours

Optional Accessories

- EPFS** Perimeter Foot Switch
- 1WF** Single Foot Switch
- 6006** Upper Limb Support
- 6003** Side Support Rails
- 9002P** Side Support Rail Cushions
- 6005** Paper Roll Holder
- 6007** Removable Head/Knee Support

Model ST3569

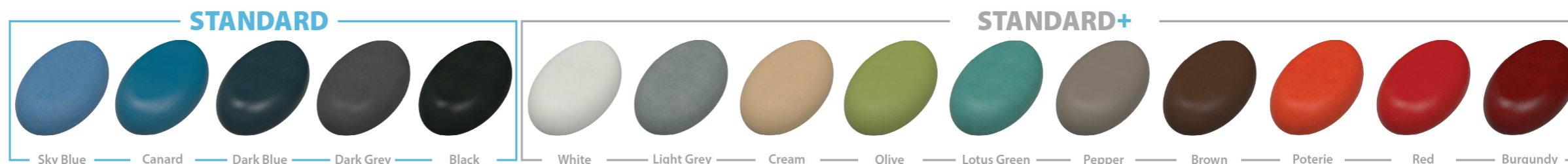
Shown with optional Perimeter Foot Switch

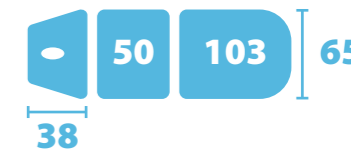
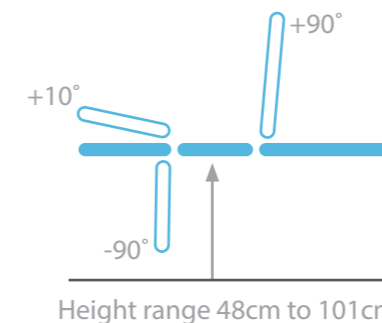
Colour Diabolo Cobalt
Colour available at an additional cost



Model ST3569 at mid-height

Available Upholstery Colours:





Therapy 3 Section Drop End Couch



An extremely strong and rigid 3 section couch incorporating both an adjustable angle backrest and a single drop end head section, these models are suitable for a wide range of manual therapy and patient examination procedures. The couch has an excellent height range of 48cm to 101cm and is fitted with a breathing hole and plug as standard.

Models

- ST3556** Hydraulic with gas assisted backrest
- ST3566** Electric with gas assisted backrest

Model ST3566
Colour Dark Blue



Standard Features

- Safe working load and lifting capacity of 240Kg (528lbs)
- Gas assisted backrest adjustable from 0° to +90°
- Gas assisted head section adjustable from +10° to -90°
- Gas assisted backrest and head sections incorporate anti-trap design
- Choice of hydraulic or electric height elevation
- Excellent height range from 48cm to 101cm
- Retractable wheel design with adjustable foot for stability on uneven surfaces
- Breathing hole and plug included as standard
- Purpose made precision bearings on all pivot points
- Clearance beneath frame for mobile hoist
- Hand switch fitted as standard on electric models
- Standard width 65cm upholstery
- Choice of Standard or Standard+ upholstery colours

Optional Accessories

- EPFS** Perimeter Foot Switch
- 1WH** Single Foot Switch
- 6006** Upper Limb Support
- 6003** Side Support Rails
- 9002P** Side Support Rail Cushions
- 6005** Paper Roll Holder
- 6007** Removable Head/Knee Support

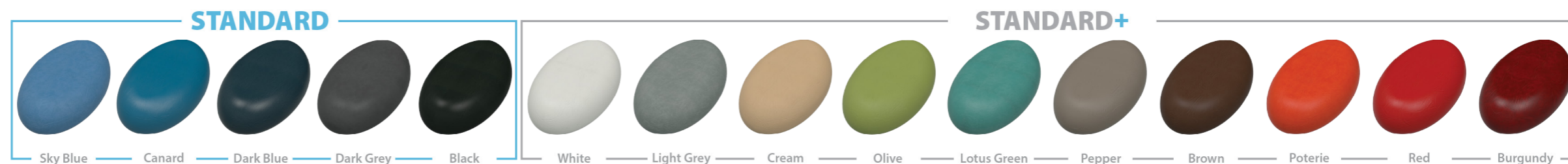


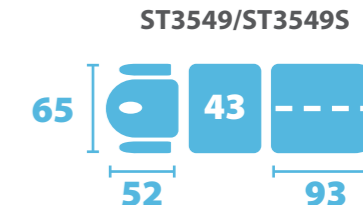
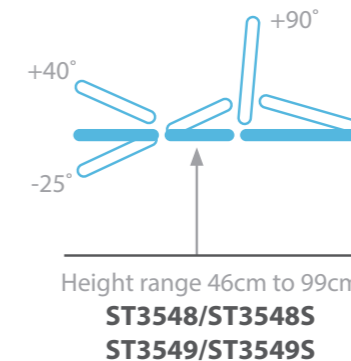
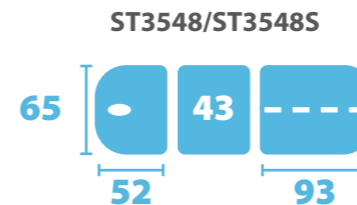
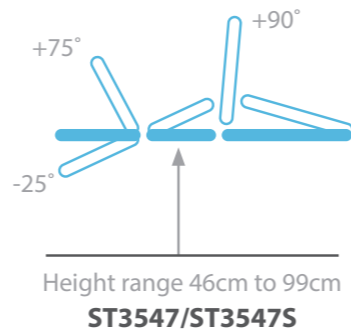
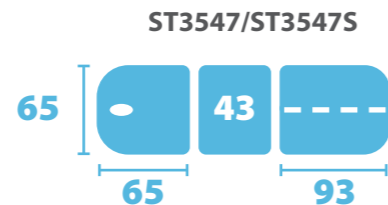
Negative head/foot section to -90°

Couch in horizontal position



Available Upholstery Colours:





Therapy Deluxe Drainage Couch



The deluxe drainage couches have the same head section options as the standard 2 and 3 section therapy couches and also provides the option of having the backrest/foot section supplied in a split leg model for additional mobilisation techniques. The electric drainage facility can be operated on either side, via a simple push button hand switch mounted near the top frame. This facility provides angular adjustment to +25° at the hinge point of the of the mid and foot sections. The perimeter foot switch system is standard on these models.

Models

- ST3547 Standard head design
- ST3547S Standard head design with split leg
- ST3548 Basic head design
- ST3548S Basic head design with split leg
- ST3549 Plus head design
- ST3549S Plus head design with split leg



Model ST3549S
Colour Dark Blue

Standard Features

- Safe working load and lifting capacity of 240Kg (528lbs)
- Electric drainage facility to +25° between mid section and backrest
- Electric height operation via integral perimeter foot switch
- Excellent height range from 46cm to 99cm
- Gas assisted backrest adjustable from 0° to +90°
- Gas assisted head section with positive and negative angle
- Gas assisted backrest and head sections incorporate anti-trap design
- Choice of standard, basic or plus head design with adjustable armrests
- Choice of standard or split leg foot section
- Breathing hole and plug fitted as standard
- Retractable wheel design with adjustable foot for stability on uneven surfaces
- Purpose made precision bearings on all pivot points
- Standard width 65cm upholstery
- Choice of Standard or Standard+ upholstery colours

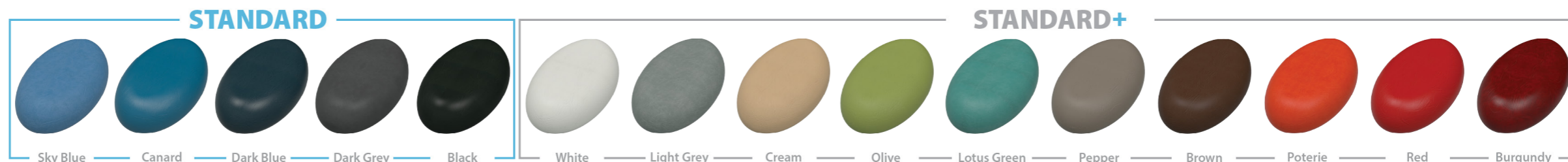
Optional Accessories

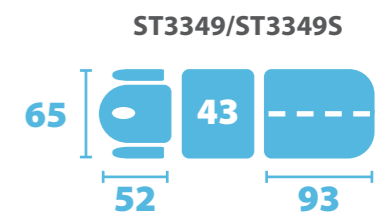
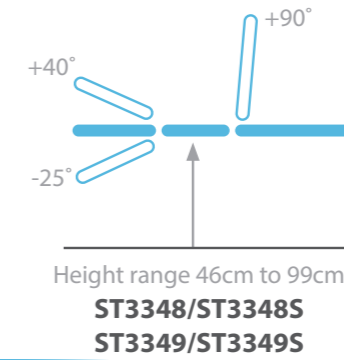
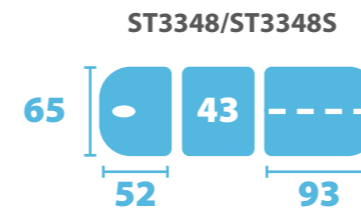
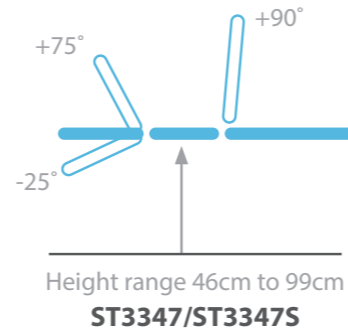
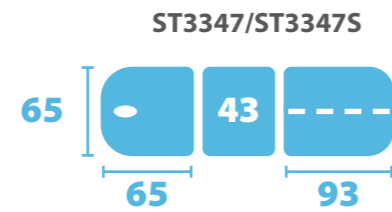
- 6007 Removable Head/Knee Support
- 6076 Memory Foam Upholstery

Couch in horizontal position



Available Upholstery Colours:





Therapy Deluxe Couch



A very strong and rigid couch with full length top frame for added stability. These models are available with a choice of three head section designs with the option of split leg facility and have the perimeter foot switch operation supplied as standard.

Models

- ST3347** Standard head design
- ST3347S** Standard head design with split leg
- ST3348** Basic head design
- ST3348S** Basic head design with split leg
- ST3349** Plus head design
- ST3349S** Plus head design with split leg

Standard Features

- Safe working load and lifting capacity of 240Kg (528lbs)
- Electric height operation via integral perimeter foot switch
- Excellent height range from 46cm to 99cm
- Gas assisted backrest adjustable from 0° to +90°
- Gas assisted head section with positive and negative angle
- Gas assisted backrest and head sections incorporate anti-trap design
- Choice of standard, basic or plus head design with adjustable armrests
- Choice of standard or split leg foot section
- Breathing hole and plug fitted as standard
- Retractable wheel design with adjustable foot for stability on uneven surfaces
- Purpose made precision bearings on all pivot points
- Standard width 65cm upholstery
- Choice of Standard or Standard+ upholstery colours

Optional Accessories

- 6007** Removable Head/Knee Support
- 6076** Memory Foam Upholstery



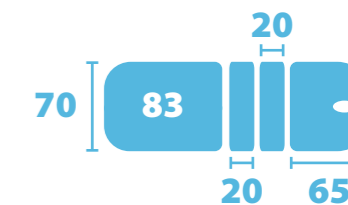
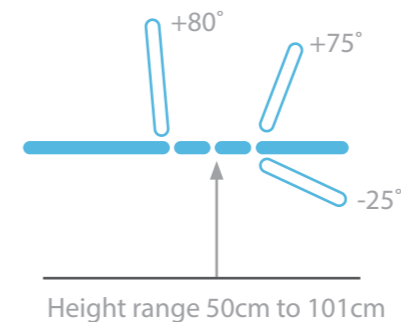
Model ST3347
Colour Diabolo Elephant
Colour available at an additional cost



Model ST3347S
Negative head/foot section to -25°

Available Upholstery Colours:





Therapy Traction Table



The traction tables have been specially designed for lumbar and cervical traction. They feature an integral rolling top design to facilitate effective traction procedures. The tables are fitted with a machine mount as standard.

Models

- ST6557** Hydraulic traction table with machine mount
- ST6567** Electric traction table with machine mount

Standard Features

- Safe working load and lifting capacity of 240Kg (528lbs)
- Integral rolling top design to provide effective application of traction forces
- Gas assisted backrest adjustable from 0° to +80°
- Gas assisted head/foot section adjustable from -25° to +75°
- Head section includes breathing hole and plug
- Gas assisted backrest and foot sections incorporate anti-trap design
- Choice of hydraulic or electric height elevation
- Excellent height range from 50cm to 101cm
- Retractable wheel design with adjustable foot for stability on uneven surfaces
- Fixation point for optional cervical traction accessory
- Purpose made precision bearings on all pivot points
- Hand switch fitted as standard on electric models
- Standard width 70cm upholstery
- Choice of Standard or Standard+ upholstery colours

Optional Accessories

- 1WF** Single Foot Switch
- 6071** Cervical In Sitting Accessory
- 6046** Pelvic Lumbar Traction Harness
- 6047** Thoracic Harness
- 6048** Thoracic Anchor Straps
- 6049** Cervical Traction Head Halter
- 6067** Cervical Pillow
- 6069** Flexion Stool
- 6070** Spreader Bar

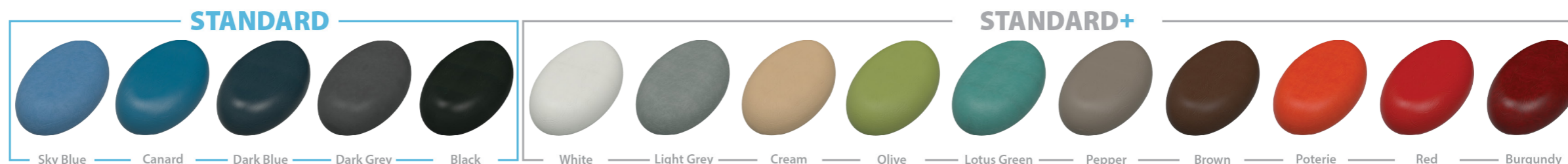
Model ST6567
Colour Dark Blue



Model ST6567
Colour Dark Blue



Available Upholstery Colours:



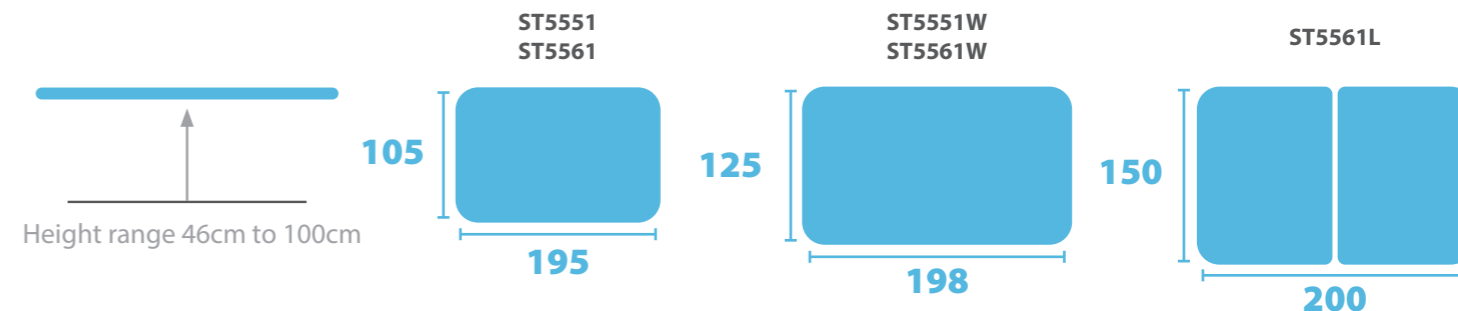
Therapy Traction Table Accessories

	<p>ST6070</p>	<p>Spreader Bar</p>		<p>ST6048</p>	<p>Anchor Straps (Pair)</p>
	<p>ST6071</p>	<p>Cervical In-sitting Accessory</p>		<p>ST6047</p>	<p>Thoracic Traction Harness</p>
	<p>ST6069</p>	<p>Flexion Stool</p>		<p>ST6046</p>	<p>Pelvic Traction Harness</p>
	<p>ST6067</p>	<p>Cervical Pillow</p>		<p>ST6049</p>	<p>Cervical Traction Head Halter</p>



ST6327

Traction Accessory Package
 Full set of traction accessories, excludes Traction Machine and the ST6071 cervical in-sitting unit.



Therapy Mat Table



The Mat Therapy Tables are very similar to the Bobath models in terms of specification, but without the backrest facility. The single section top design provides a large and stable variable height support surface for a wide range of exercises and Bobath rehabilitation procedures.

Models

- ST5551 Hydraulic, 105cm Wide
- ST5561 Electric, 105cm Wide
- ST5551W Hydraulic, 125cm Wide
- ST5561W Electric, 125cm Wide
- ST5561L Electric, 150cm Wide



Model ST5561W
Shown with optional Side Support Rails and Cushions
Colour Light Grey



Model ST5551
Colour Sky Blue

Standard Features

- Safe working load and lifting capacity of 250Kg (550lbs)
- Choice of widths available 105cm, 125cm or 150cm
- Choice of hydraulic or electric height elevation on 105cm and 125cm models
- Excellent electric height range from 46cm to 100cm
- Retractable wheel design and adjustable foot for stability on uneven floors
- Purpose made precision bearings on all pivot points
- Clearance beneath frame for mobile hoist
- Hand switch fitted as standard
- Bariatric models with a safe working load of 325Kg are available upon request
- Choice of Standard or Standard+ upholstery colours

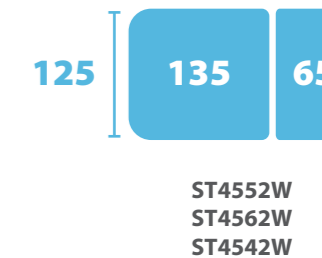
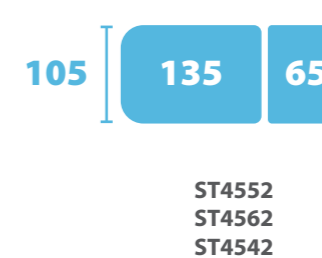
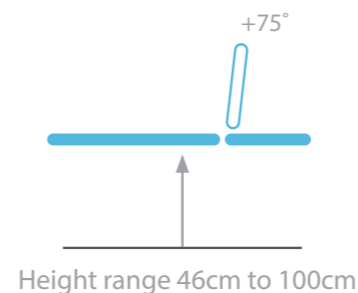
Optional Accessories

- 6057 Battery Back-Up
- 1WF Single Foot Switch
- EPFS Perimeter Foot Switch
- 6074 Side Support Rails
- 9002P Side Support Rail Cushions



Available Upholstery Colours:





Therapy Bobath Couch



By tradition, Bobath treatment techniques require a suitably wide treatment surface with a safe and capable lifting capacity for both patient and therapist. The Bobath Therapy range of couches has more than achieved this with a choice of 2 sizes and higher than standard safe working load of 250Kg. See deluxe model for 325Kg safe working load.

Models

- ST4552 Hydraulic with gas assisted backrest, 105cm
- ST4562 Electric with gas assisted backrest, 105cm
- ST4542 Electric with electric backrest, 105cm
- ST4552W Hydraulic with gas assisted backrest, 125cm
- ST4562W Electric with gas assisted backrest, 125cm
- ST4542W Electric with electric backrest, 125cm



Model ST4562
Shown with optional Perimeter Foot Switch
Colour Dark Blue

Standard Features

- Safe working load and lifting capacity of 250Kg (550lbs)
- The gas assisted backrest section incorporates anti-trap design gas strut
- Gas assisted head section adjustable from 0° to +75°
- Choice of hydraulic or electric height elevation
- Excellent height range from 46cm to 100cm
- Retractable wheel design with adjustable foot for stability on uneven floors and surfaces
- Purpose made precision bearings on all pivot points
- Clearance beneath frame for mobile hoist
- Hand switch fitted as standard on electric models
- Choice of widths available - 105cm or 125cm
- Choice of Standard or Standard+ upholstery colours

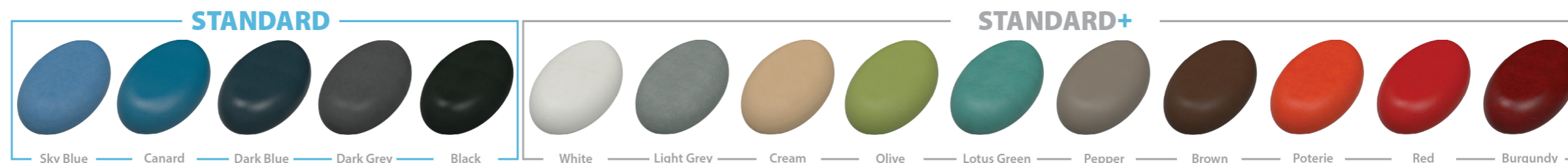
Optional Accessories

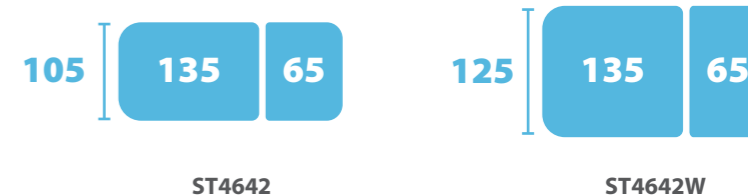
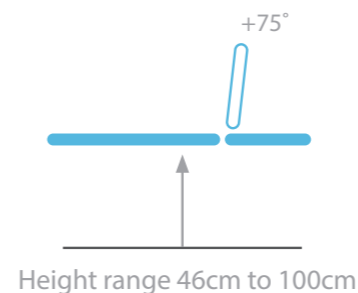
- 6004 Breathing Hole & Plug
- 6057 Battery Back-Up
- 1WF Single Foot Switch for ST4562/ST4562W
- 2WF Double Foot Switch for ST4542/ST4542W
- EPFS Perimeter Foot Switch
- 6074 Side Support Rails
- 9002P Side Support Rail Cushions



Low patient transfer height

Available Upholstery Colours:





Therapy Deluxe Bobath Couch



The top of the range Deluxe Bobath couch has a safe working load and lifting capacity of 325Kg (715lbs). This model features electric height and backrest operation and has large central locking castors with steering facility for ease of movement. There are a wide range of specific accessories available to further enhance this model.

Models

- ST4642 Electric with electric backrest 105cm
- ST4642W Electric with electric backrest 125cm



Model ST4642
Colour Sky Blue

Standard Features

- Safe working load and lifting capacity of 325Kg (715lbs)
- Electric height operation
- Electric head section adjustable from 0° to +75°
- Large central locking castors with steering control
- Excellent height range from 46cm to 100cm
- Purpose made precision bearings on all pivot points
- Clearance beneath frame for mobile hoist
- Dual hand switch fitted as standard
- Choice of Standard or Standard+ upholstery colours

Optional Accessories

- 6004 Breathing Hole & Plug
- 6057 Battery Back-Up
- 2WF Double Foot Switch
- EPFS Perimeter Foot Switch
- 6074 Side Support Rails
- 9002P Side Support Rail Cushions
- 6041 Side Support Loops
- 6012 Upper and Lower Limb Support
- 6013 Patient Support Loops



Model ST4642
Shown with optional Side Support Rails and
Hand Support Loops
Colour Light Grey

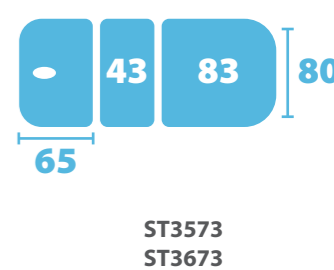
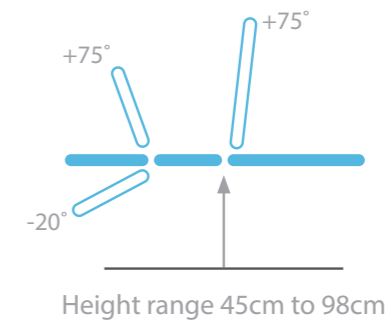
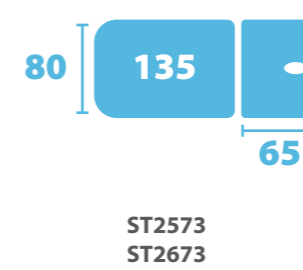
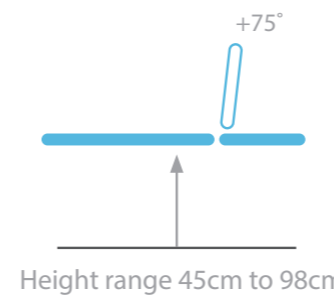


Model ST4642
Shown with optional Side Support Rails and
Patient Limb Support
Colour Light Grey



Available Upholstery Colours:





Therapy Bariatric 2 Section Couch



The Bariatric 2 Section Couch has a safe working load and lifting capacity of 325Kg (715lbs). Available with either a retractable wheel system or large central locking castors with steering facility. These models have a width of 80cm and the breathing hole and plug is fitted as standard.

Models

- ST2573** Electric with electric backrest
Retractable wheels
- ST2673** Electric with electric backrest
Large central locking castors with steering facility



Model ST2573
Colour Dark Blue

Therapy Bariatric 3 Section Couch



The Bariatric 3 Section Couch features electric height operation, head/foot section and backrest angle adjustment with a safe working load and lifting capacity of 325Kg (715lbs). Available with either a retractable wheel system or large central locking castors with steering facility. These models have a width of 80cm and the breathing hole and plug comes fitted as standard.

Models

- ST3573** Electric with electric backrest and head/foot section. Retractable wheels
- ST3673** Electric with electric backrest and head/foot section. Large central locking castors with steering facility

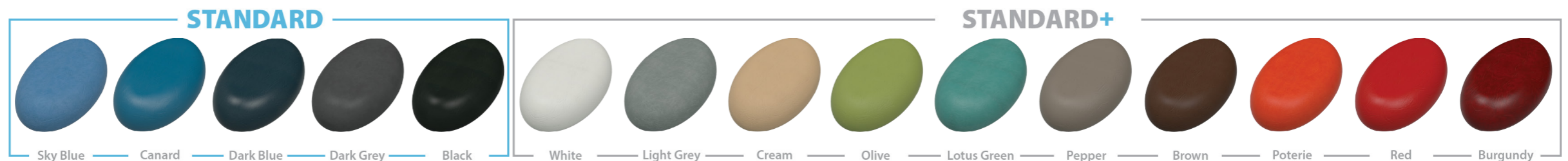


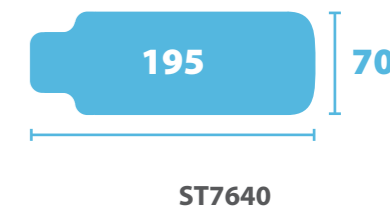
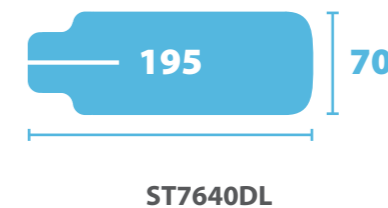
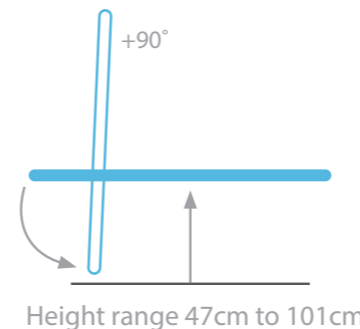
Model ST3573
Colour Light Grey



Central Locking Castors

Available Upholstery Colours:





Economy Tilt Tables



These excellent Tilt Tables have been designed to meet the requirements of a wide range of applications for rehabilitation, assessment and examination procedures. Available with the option of "divided leg design" which provides individual harness security for the lower limbs, and options of pommel and leg stabilisers. All models are supplied with individually adjustable foot boards, patient handgrips and harnesses.

Models

- ST7640 Economy tilt table
- ST7640DL Economy tilt table (Divided leg)



Model ST7640
Colour Sky Blue



Standard Features

- Safe working load and lifting capacity of 225Kg (495lbs)
- 125mm independently braking castors
- Electric height and tilting operation with hand switch control
- Adjustable angle dual foot boards +15° to -30° (4 Positions)
- Height range of 47cm to 101cm
- Tilting angle from 0° to +90°
- Lowers to wheelchair height for ease of patient transfer
- Tilt angle inclinometer fitted as standard
- Purpose made precision bearings on all pivot points
- Clearance beneath frame for mobile hoist
- Supplied with patient handgrips and set of harnesses
- Choice of Standard or Standard+ upholstery colours

Optional Accessories

- 6057 Battery Back-Up
- 6058 Hip/Leg Stabilisers (Pair)
- 6059 Adjustable Pommel Support*
- 6007 Head Support Cushion
- 6062 Standard Harness Set
- 6063 Dual Leg Harness Set*
- 6064 Pair Dual Knee Harnesses*
- 6065 Standard Harness (Wide)
- 6066 Standard Harness (Narrow)
- 7648 Adjustable Work Table

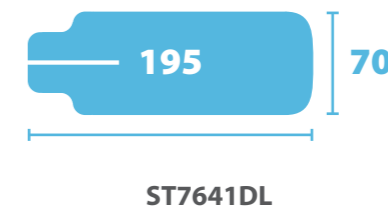
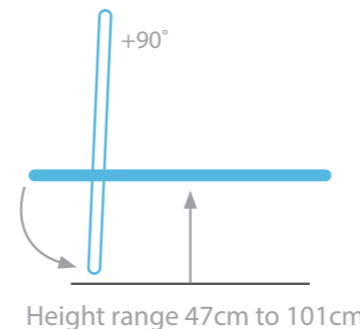
**(will fit Divided Leg version only)*



Model ST7640 in horizontal position.
Colour Sky Blue

Available Upholstery Colours:





Standard Tilt Tables



These excellent Tilt Tables have been designed to meet the requirements of a wide range of applications for rehabilitation, assessment and examination procedures. Available with the option of "divided leg design" which provides individual harness security for the lower limbs, and options of pommel and leg stabilisers. The standard models include the adjustable work table which is an option on economy models. All models are supplied with individually adjustable foot boards, patient handgrips and harnesses.

Models

- ST7641 Standard tilt table
- ST7641DL Standard tilt table (Divided leg)



Model ST7641
Colour Sky Blue



Standard Features

- Safe working load and lifting capacity of 225Kg (495lbs)
- 125mm wheel design, with central locking and steering facility
- Electric height and tilting operation with hand switch control
- Adjustable angle dual foot boards +15° to -30° (4 Positions)
- Height range of 47cm to 101cm
- Tilting angle from 0° to +90°
- Lowers to wheelchair height for ease of patient transfer
- Tilt angle inclinometer fitted as standard
- Purpose made precision bearings on all pivot points
- Clearance beneath frame for mobile hoist
- Supplied with patient handgrips and set of harnesses
- Worktable supplied as standard
- Choice of Standard or Standard+ upholstery colours

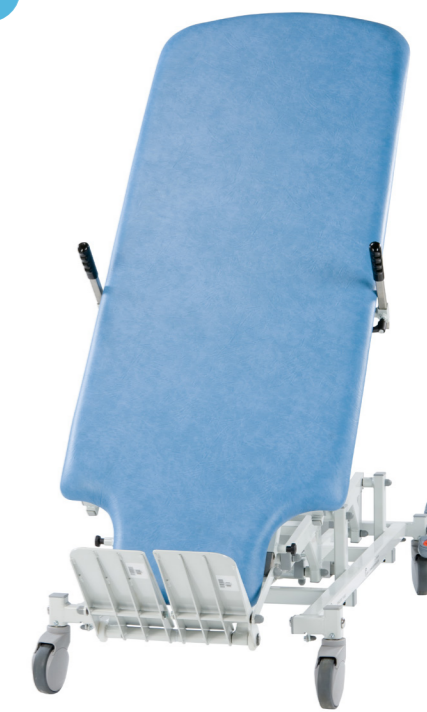
Optional Accessories

- 6057 Battery Back-Up
- 6058 Hip/Leg Stabilisers (Pair)
- 6059 Adjustable Pommel Support*
- 6007 Head Support Cushion
- 6062 Standard Harness Set
- 6063 Dual Leg Harness Set*
- 6064 Pair Dual Knee Harnesses*
- 6065 Standard Harness (Wide)
- 6066 Standard Harness (Narrow)

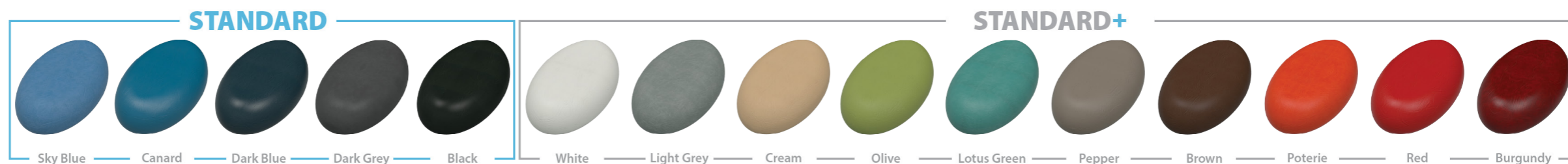
* (will fit Divided Leg version only)

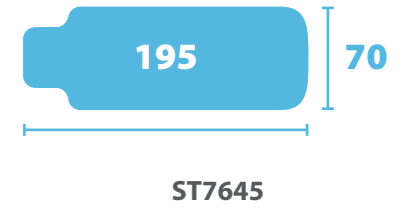
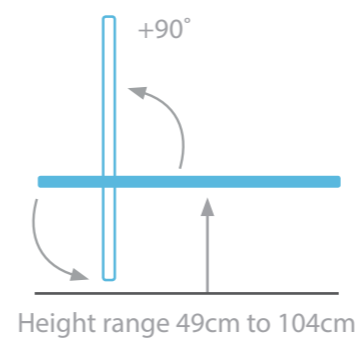


Model ST7641
Colour Sky Blue



Available Upholstery Colours:





Tilt Table Pro with Emergency Override



These intelligent tilt tables have been designed & developed with medical professionals to meet requirements of syncope testing. The Emergency Override allows the clinician to return the patient to horizontal immediately, for situations such as fainting or cardiac arrest. A digital display handset is included as standard, giving live feedback of the height and angle that the table is adjusted to. The tables are available in either single or divided leg design.

Models

- ST7645 Tilt Table Pro - Single Leg
- ST7645DL Tilt Table Pro - Divided Leg



Emergency Override fitted on all models



Model ST7645
Colour Sky Blue



Lowers to 49cm for ideal transfer height



Set of harnesses & worktable included as standard

Standard Features

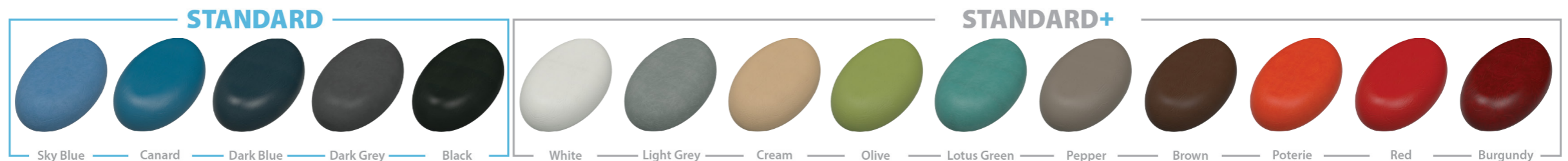
- Safe working load and lifting capacity of 225kg (495lbs)
- Electric height elevation from 49cm to 104cm
- Electric tilt from 0° to 90° in only 15 seconds
- Emergency Down Facility to return patient to horizontal
- Harness set, handgrips and worktable included as standard
- 70cm wide Easy Clean Upholstery fitted as standard
- Digital Display Handset shows live feedback of height (cm) and tilt angle of the table
- Memory function with 3 programmable positions
- Purpose made precision bearings on all pivot points
- Clearance beneath frame for mobile hoist
- Large Mobile Wheel Design with central locking castors
- Anti-bacterial powder coated frame
- Full length accessory fitting bar for optional lateral supports
- Lifetime frame warranty & 5 year warranty on moving parts
- Choice of Standard or Standard+ upholstery colours

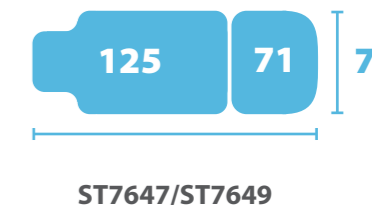
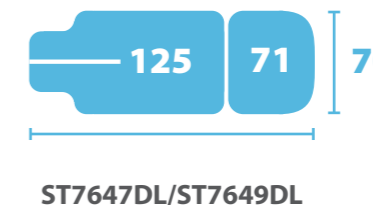
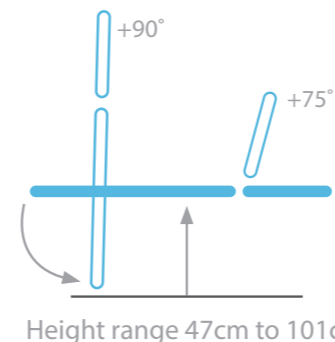
Optional Accessories

- 6057 Battery Back-Up
- 6058 Lateral Supports for Stabilisation
- 6059 Adjustable Pommel Support*
- 6007 Head Support Cushion
- 6062 Single Leg Harness Set
- 6063 Divided Leg Harness Set*
- 6064 Pair of Dual Knee Harnesses*
- 6065 Standard Harness (Wide)
- 6066 Standard Harness (Narrow)

* for ST7645DL only

Available Upholstery Colours:





Multi-Purpose Tilt Table



These models feature a 2 section top incorporating an adjustable angle backrest to meet a wide range of applications. Available with the option of "divided leg design" both models feature a large wheel design with steering facility and have the standard benefits of dual adjustable foot boards, patient handgrips, adjustable worktable and a full set of harnesses. There is also a wide choice of optional accessories available to choose from.

Models

- ST7647 Gas assisted backrest
- ST7647DL Gas assisted backrest, Divided Leg
- ST7649 Electric backrest
- ST7649DL Electric backrest, Divided Leg



Model ST7647
Colour Sky Blue



Standard Features

- Safe working load and lifting capacity of 225Kg (495lbs)
- Large wheel design, with central locking & steering facility
- Gas assisted or electric backrest facility adjustable from 0° to +75°
- Electric height and tilting operation with hand switch control
- Adjustable angle dual foot boards +15° to -30° (4 Positions)
- Height range of 47cm to 101cm
- Tilt table angle ranges from 0° to 90°
- Lowers to wheelchair height for ease of patient transfer
- Tilt angle inclinometer fitted as standard
- Purpose made precision bearings on all pivot points
- Clearance beneath frame for mobile hoist
- Supplied with patient worktable, handgrips and set of harnesses
- Choice of Standard or Standard+ upholstery colours

Optional Accessories

- 6057 Battery Back-up
- 6058 Hip/Leg Stabilisers (Pair)
- 6059 Adjustable Pommel Support*
- 6007 Head Support Cushion
- 6062 Standard Harness Set
- 6063 Dual Leg Harness Set*
- 6064 Pair Dual Knee Harnesses*
- 6065 Standard Harness (Wide)
- 6066 Standard Harness (Narrow)

* (will fit Divided Leg version only)

Model ST7647 in horizontal position

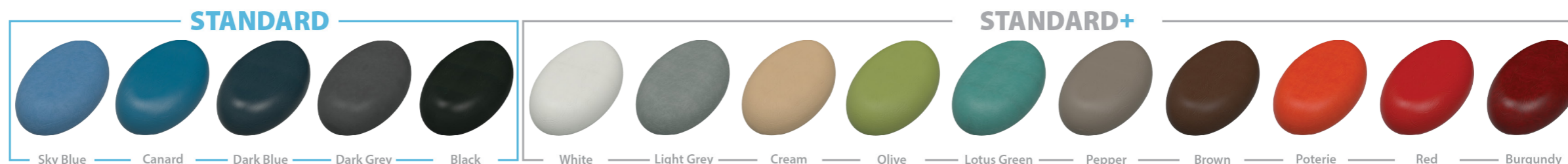


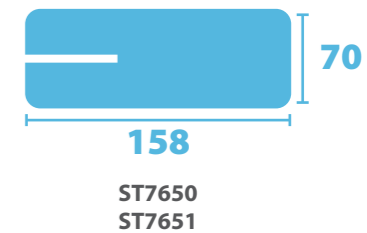
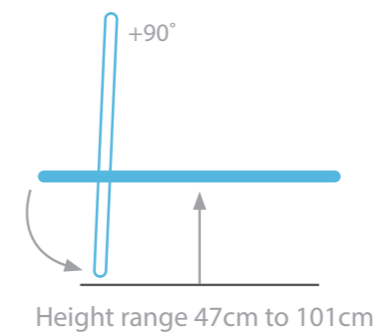
Angle Inclinometer



ST7647DL Divided Leg Model

Available Upholstery Colours:





Paediatric Tilt Table



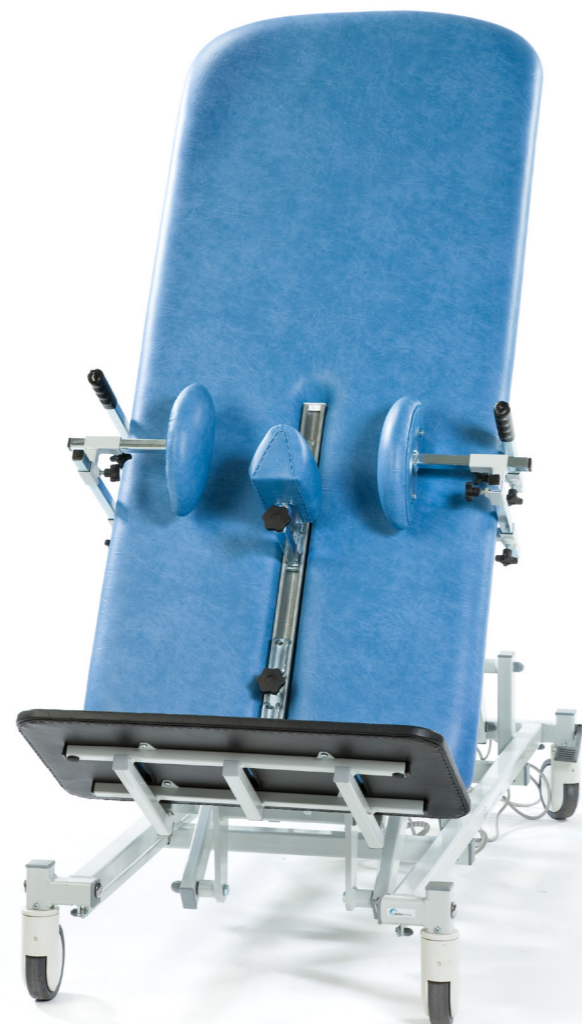
Specifically designed to cater for children of all ages through to young adults, these variable height child tilt tables feature dual leg fixation and a wide footboard with fixation facility for securing the feet. The child table is supplied with handgrips, a set of harnesses, pommel and pelvic supports for additional patient security. An adjustable angle work table is available as an option.

Models

- ST7650** Economy child table with independent braked castors
- ST7651** Standard child table with central locking castors



Model ST7651
Colour Sky Blue



Standard Features

- Safe working load and lifting capacity of 200Kg (440lbs)
- Large wheel design, with central locking and steering facility on standard models
- Individual braking castors on economy models
- Electric height and tilting operation via hand switch control
- Height range of 47cm to 101cm
- Tilt angle from 0° to 90°
- Dual leg fixation of the knees with adjustable height pommel for additional patient support
- Adjustable pelvic supports for additional stabilisation
- Wide footboard with feet fixation points, straps included
- Lowers to wheelchair height for ease of patient transfer
- Tilt angle inclinometer fitted as standard
- Purpose made precision bearings on all pivot points
- Clearance beneath frame for mobile hoist
- Supplied with patient handgrips and set of harnesses
- 60mm upholstery incorporating memory foam membrane for added comfort
- Choice of Standard or Standard+ upholstery colours

Optional Accessories

- 6057** Battery Back-Up Facility
- 6007** Head Support Cushion
- 6063** Spare Harness Set
- 7648** Adjustable Angle Work Table

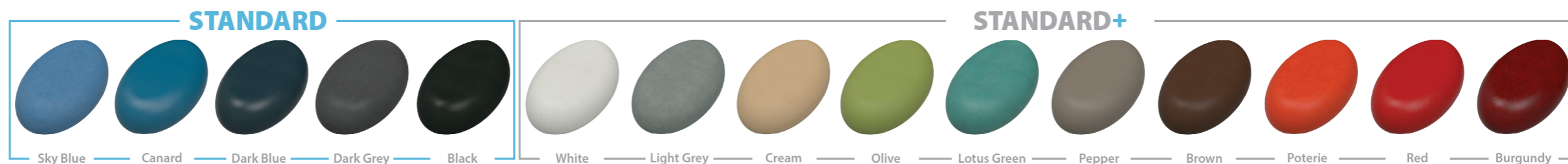


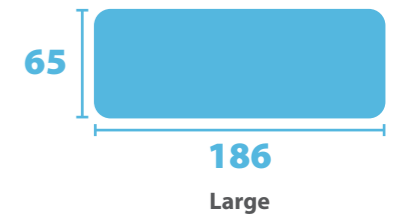
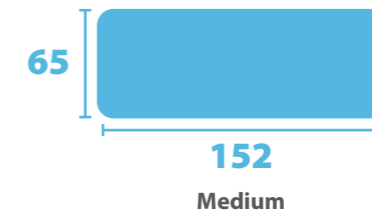
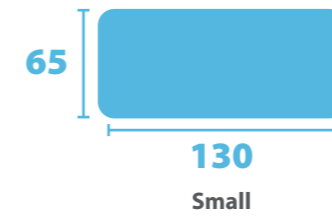
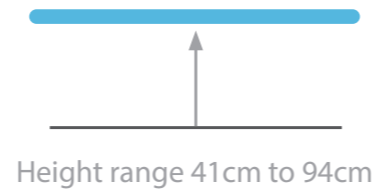
7648 Optional Adjustable Work Table



Model ST7651 in horizontal position

Available Upholstery Colours:





Therapy Large Hygiene Table



For environments such as special schools, where many of the children require regular hygiene attention, these variable height tables provide not only a low transfer height but quick and simple adjustment to the correct height for changing procedures, reducing back and postural problems for support staff. Standard width 65cm.

186cm Models

- ST1551A Hydraulic with retractable wheels
- ST1561A Electric with retractable wheels
- ST1651A Hydraulic with central locking castors
- ST1661A Electric with central locking castors



Model ST1551A
Shown with optional Side Support Rails and Cushions
Colour Lotus Green



Model ST1551A
Shown with optional Side Support Rails
Colour Lotus Green

Therapy Small & Medium Hygiene Tables



The small model has a length of 130cm or 152cm and like the standard models is available with a choice of either retractable wheel system or large wheel design which features central locking castors and steering facility.

152cm Models

- ST1551B Hydraulic with retractable wheels
- ST1561B Electric with retractable wheels
- ST1651B Hydraulic with central locking castors
- ST1661B Electric with central locking castors

130cm Models

- ST1551C Hydraulic with retractable wheels
- ST1561C Electric with retractable wheels
- ST1651C Hydraulic with central locking castors
- ST1661C Electric with central locking castors



Model ST1551C low transfer height.
Colour Zest

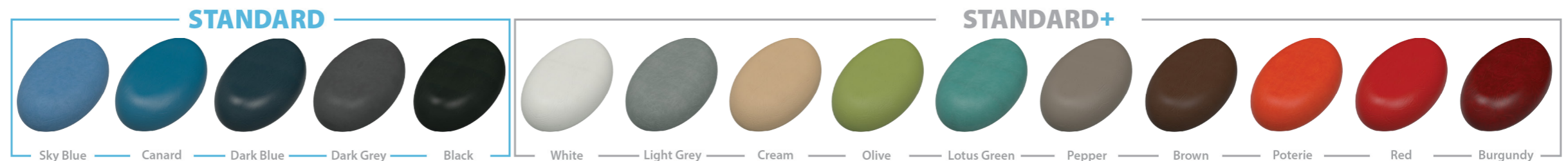


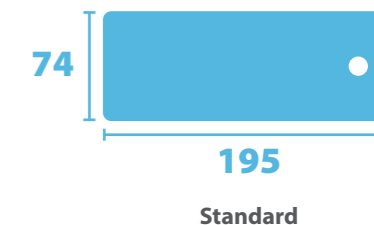
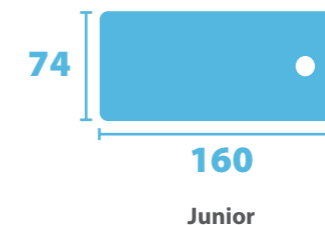
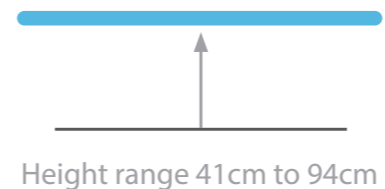
Model ST1551C
Colour Zest



Central Locking Castors

Available Upholstery Colours:





Shower Trolley



Designed to provide transport to and from the showering area, these mobile hydraulic Shower Trolley's feature a foam padded PVC liner for added patient comfort, a linked wheel system with central locking and steering facility, as well as fold down side support rails for patient transfer. The new Junior model has an overall length of 160cm and both the Standard and Junior models are available with a rechargeable battery option as an alternative to the hydraulic height operation.

Models

- ST7700** Standard hydraulic
- ST7800** Electric with Rechargeable battery
- ST7600** Junior hydraulic
- ST7500** Junior electric with Rechargeable battery

Model ST7800 Electric model with rechargeable battery shown at mid height



Charger unit

Standard Features

- Safe working load and lifting capacity of 240Kg (528lbs)
- Large wheel design, with central locking and steering facility
- Hydraulic height adjustment 41cm to 94cm via foot pedal
- Rechargeable battery models 41cm to 94cm via hand switch
- Battery operated models include a spare battery pack and charging unit
- Foam padded PVC liner with side supports and end panels for comfort and security
- Supplied with foam padded PVC patient support cushion
- The side support rails fold down to assist patient transfer
- Low gradient tilt towards foot end for water drainage via integral waste outlet
- Plug and drain hose supplied complete with storage bracket
- Bumpers fitted to all corners for protection during transport procedures
- Bumpers can be removed to reduce the width to 65cm to access tight doorways
- Lowers to wheelchair height for ease of patient transfer
- Purpose made precision bearings on all pivot points
- Clearance beneath frame for mobile hoist
- Choice of junior or standard models

Optional Accessories

- 6093** Replacement PVC liner
- 6094** Replacement Patient PVC Cushion
- 6092** Replacement Battery Pack

Model ST7700 Standard hydraulic model at low height for patient transfer



Model ST7700 Standard hydraulic model

Therapy Chairs & Stools



ST6103

Standard & High Operators Stools
Standard model with height range of 48cm to 60cm. Various colour options to choose from. See page 55 for all colours

ST6104

High model with height range of 59cm to 84cm. Fitted with foot support ring and glides for added stability as standard. Various colour options to choose from. See page 55 for all colours.



ST6100

Standard Operators Chair
Standard model with height range of 48cm to 60cm. Various colour options to choose from. See page 55 for all colours



ST6101

High Operators Chair
High model with height range of 59cm to 84cm. Fitted with foot support ring and glides for added stability as standard. Various colour options to choose from. See page 55 for all colours.



ST6109

Keyhole Shaped Stool
Height range of 48cm to 60cm. Various colour options to choose from. See page 55 for all colours.



MC6107

Deluxe Saddle Chair
Height range of 54cm to 71cm with seat tilt facility. Various colour options to choose from. See page 55 for all colours.

9123

Optional backrest for the above model.



ST6144

Economy Saddle Stool
Height range of 48cm to 60cm. Various colour options to choose from. See page 55 for all colours.

Optional Couch Accessories



6015

Therapy Positioning Wedge

A medium density foam wedge for positioning patients. Available in all **SEERS** vinyl fabrics. The wedge dimensions are 54cm wide, with a base length of 48cm and side tangents of 32cm and 38cm.



6016

Roll Support Set

The set comprises of a single roll 30cm long, with a 15cm diameter and a roll 30cm long with a diameter of 20cm that is made up of two half sections. Available in all **SEERS** vinyl fabrics



6016L

Long Support Roll

A medium density foam roll with a choice of **SEERS** vinyl fabrics to match any couch. The long support roll dimensions are 60cm long with a diameter of 15cm.



2705

Face Support Ring

Face support ring for prone treatments. Available in all **SEERS** upholstery colours.



EPFS

Perimeter Foot Switch

The electric perimeter foot switch provides hands free height operation at any point around the length and width of the treatment couch. This system requires light foot pressure on top or beneath the perimeter bar at any point around the couch to activate the height operation. This is ideal for therapists carrying out various manipulation and mobilisation procedures.

EPFS-XL

Electric perimeter foot switch for Bobath and Mat Table models.

Optional Couch Accessories



6007
This half moon shaped support is ideal for supporting the head, neck or lower limb during specific treatments.



6057
Battery back-up available for most electric operated models.



-1WF
Single foot switch option.



6207
Double foot switch option (alternative to standard double hand switch).



6002 & 6003
Fold-down side support rails for 2 & 3 section couches, providing patient support and security.



NV9002P
Upholstered cushions can be added to the side support rails for additional comfort, support and protection.



6053
An easy to clean moulded base shroud that covers all the moving parts of the base frame.



6005
The paper roll holder provides a protective barrier between the patient and the upholstered surface.

If you have any queries on any of the optional accessories listed above please contact us for further details. Please note some of the accessories are supplied as standard with specific couches so please ensure you check before purchasing your chosen product as all other options come at an additional cost.

Mundial Standard Range

A range of globally popular, hard-wearing vinyl colours that will retain performance for many years. Abrasion Resistance to 150,000 cycles. Available as standard on all upholstered couches and seating products.



Mundial Standard+ Range*

A selection of unique coloured, hard-wearing vinyl colours that will retain performance for many years. Abrasion Resistance to 150,000 cycles.

** Available at an additional cost for all Therapy Range Couches, excluding Shower Trolleys.*



Other colours are available on request

Please Note: The illustrated vinyl colours may vary slightly from actual vinyl supplied. This occurs due to the four colour printing process, however every attempt has been made to make them as accurate as possible.